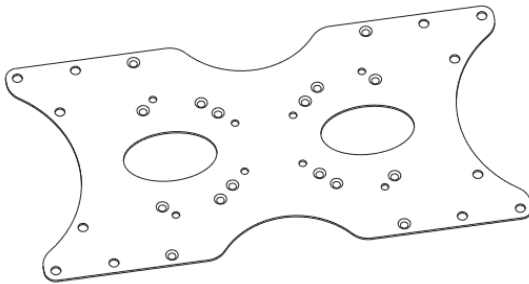




VESA Monitor Adapter 50x50mm to 400x200mm

Instruction Manual



SKU: MOUNT-AD4X2



Scan the QR code with your mobile device or follow the link for helpful videos and specifications related to this product.

<https://vivo-us.com/products/mount-ad4x2>

GET IN TOUCH | Monday-Friday from 7:00am-7:00pm CST



help@vivo-us.com



www.vivo-us.com
Chat live with an agent!



309-278-5303

 **WARNING!**

If you do not understand these directions, or if you have any doubts about the safety of the installation, please call a qualified technician. Check carefully to make sure there are no missing or defective parts. Improper installation may cause damage or serious injury. Do not use this product for any purpose that is not explicitly specified in this manual. Do not exceed weight capacity. We cannot be liable for damage or injury caused by improper mounting, incorrect assembly or inappropriate use.

 **WARNING: CHOKING HAZARD**

SMALL PARTS - NOT FOR CHILDREN UNDER 3 YEARS. ADULT SUPERVISION IS REQUIRED.

PACKAGE CONTENTS



A (x1)
VESA Plate



B (x4)
Flathead Bolt



C (x4)
Nut



M-A (x4)
M6x30



M-B (x4)
M8x30



M-C (x4)
Spacer

TOOLS NEEDED



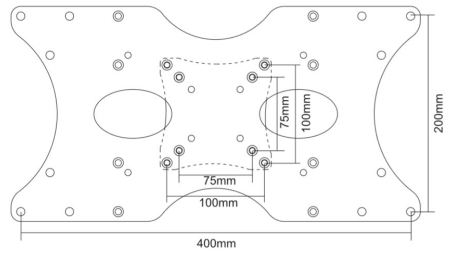
DO NOT EXCEED WEIGHT CAPACITY.
Failure to do so may result in serious injury.



ASSEMBLY STEPS

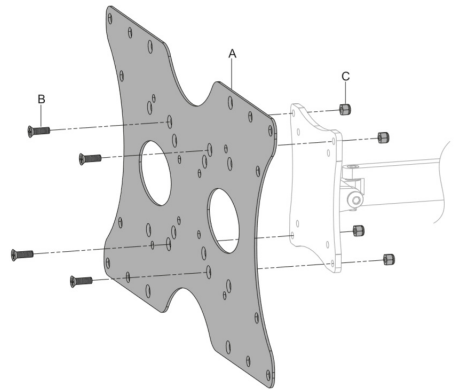
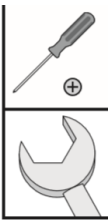
STEP 1

This VESA adapter plate is designed to fit to the VESA 50x50mm, 75x75mm or 100x100mm mounting holes of an existing TV or monitor mount, allowing a TV or monitor with a VESA hole pattern of 200x100mm, 200x200mm, 300x200mm or 400x200mm to be attached to the mount.



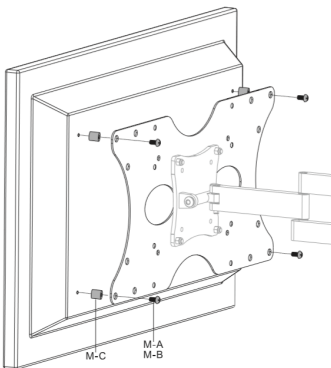
STEP 2


Attach VESA plate (A) to TV/monitor mount using flat head bolts (B) and nuts (C).



STEP 3

Mount TV/monitor to VESA plate using bolts (M-A or M-B) with spacers (M-C).



 Love your new VIVO setup and want to share?
Tag us in your photo! [@vivo_us](#)

LAST UPDATED: 03/05/2020




Open **Monday - Friday 7:00am - 7:00pm** CST,

our dedicated support team can offer immediate assistance with rapid response times. If any parts are received damaged or defective, please contact us. We are happy to replace parts to ensure you have a fully functioning product.


 help@vivo-us.com

AVG. RESPONSE TIME (*within office hrs*): **1HR 8M**

- 23% within < 15m
- 38% within < 30m
- 61% within < 1hr
- 83% within < 2hr
- 92% within < 3hr

 www.vivo-us.com
Chat live with an agent!

AVG. RESOLUTION TIME (*within office hrs*): **< 15 M**

 309-278-5303

AVG. RESOLUTION TIME (*within office hrs*): **5M 4S**

FOR MORE VIVO PRODUCTS, CHECK OUT OUR WEBSITE AT: www.vivo-us.com